

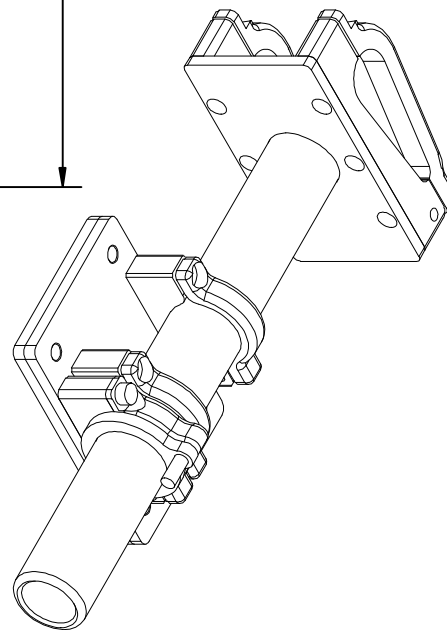
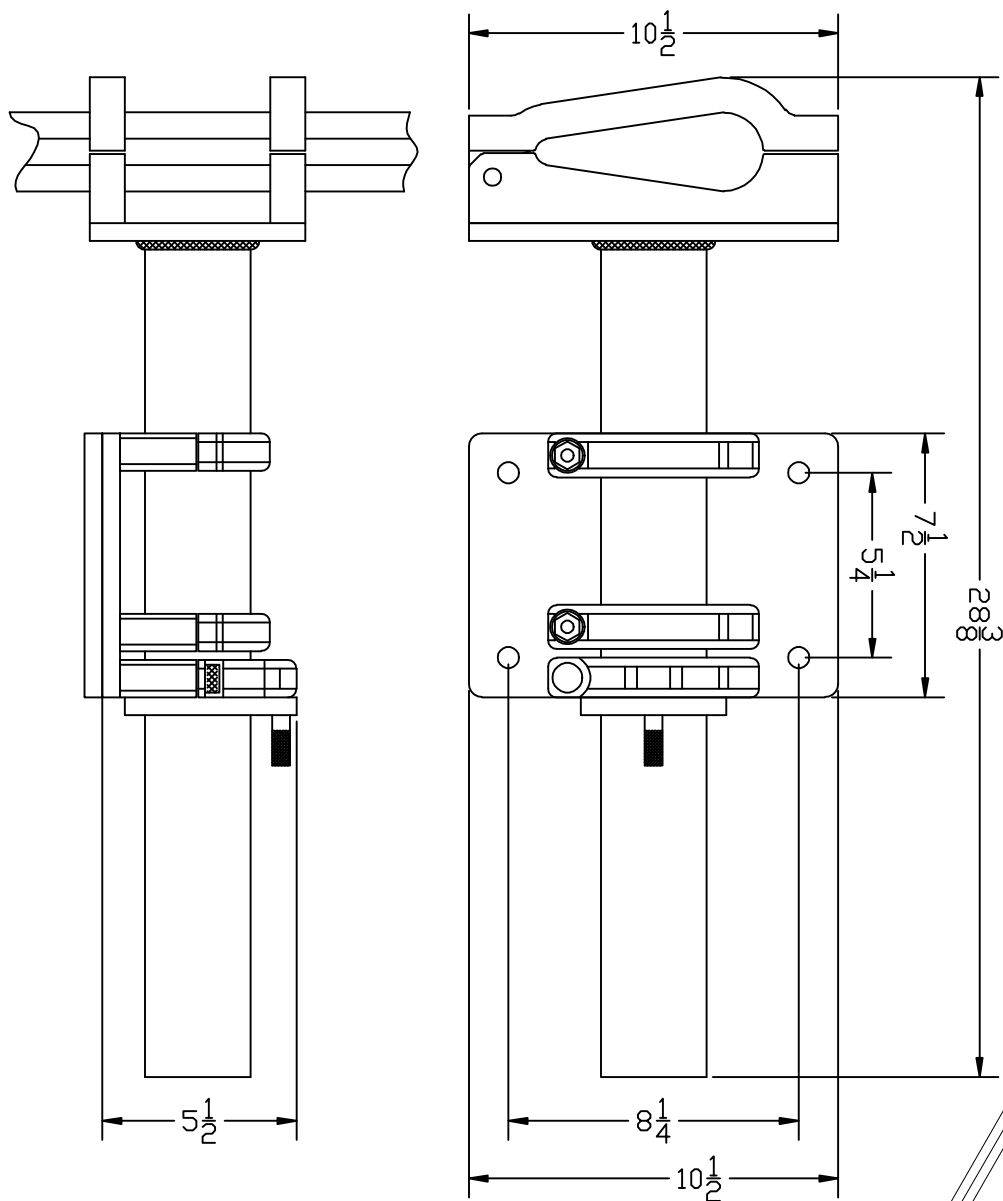


OTS MINI MOUNT

Our Mini Mount was designed with today's smaller sonar systems in mind. The Mini Mount Features our standard hydrodynamic mast with a max length of 6' (1.83M) and with any flange required by the customer attached to the mast. The Mount's mast is capable of being rotated up and out of the water for high speed travel to your next survey site. Once there the mast can be rotated back down and re-located using the location ring attached to the X-pole. The Mini Mount is highly transportable and is an excellent choice for vessels of opportunity.

OPTIONS

- GPS Antenna
- Lidar Mount
- Split Mast (for ease of shipping or travel)



DRAWING NO.
HMM-200-1

TITLE
MINI HYDROGRAPHIC SONAR MOUNT
SALES DRAWING

**Marine Survey
Fabrication**
Coarsegold, Ca 559-696-4020

DRAWN: MSF	04/14/16
CHECKED:	.
APPROVED:	
SCALE: N.T.S.	