



## OTS MOUNT

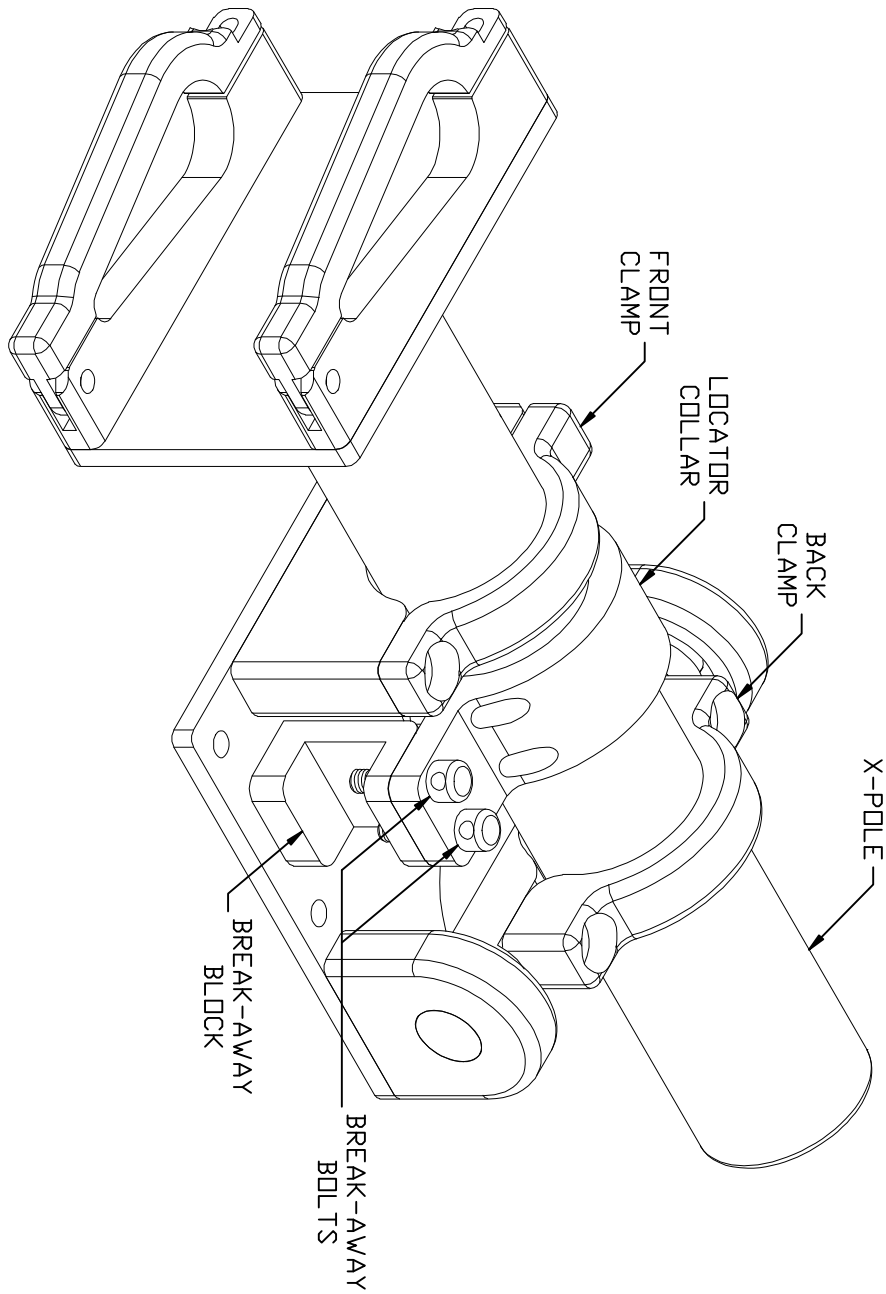
Our OTS-Mount design is the culmination of years of research and assistance from many industry professionals. From our new integrated break-a-way to the standard hinged base, we have strived to give our customers the best mount on the market. We can attach any flange to the end of the hydrodynamic shaped mast at no extra charge.

### STANDARD FEATURES

- Integrated break-a-way
- Hinged base
- Flanged hydrodynamic mast up to 12' long
- Constructed of 316 S.S. & 6061-T6 Aluminum
- Type 3 hard black anodizing

### OPTIONS

- Hinged GPS antenna
- Lidar mount
- Lower mast brace

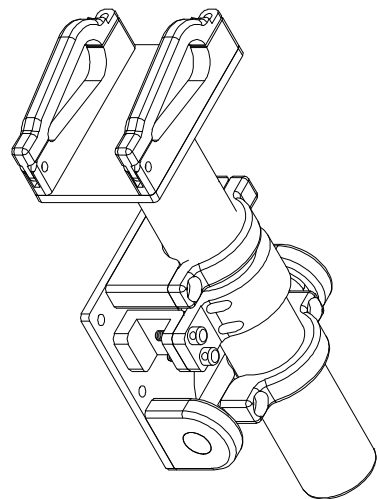
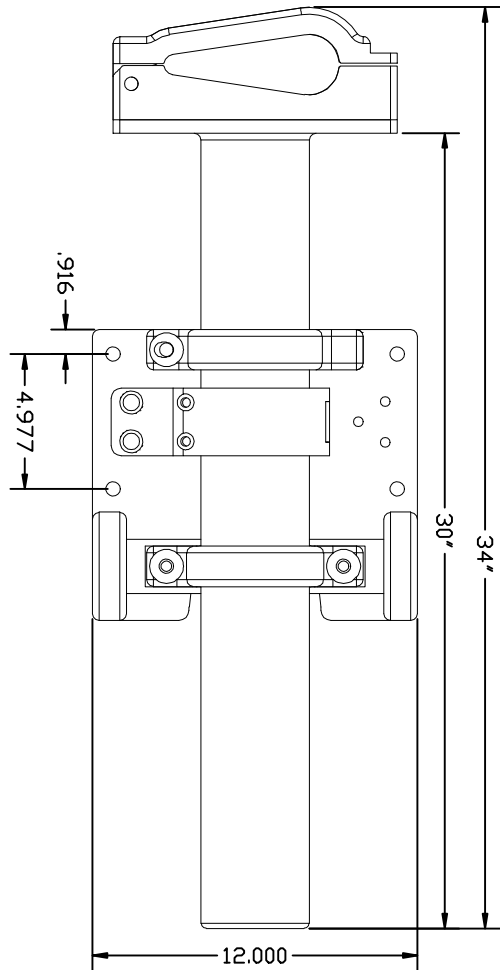
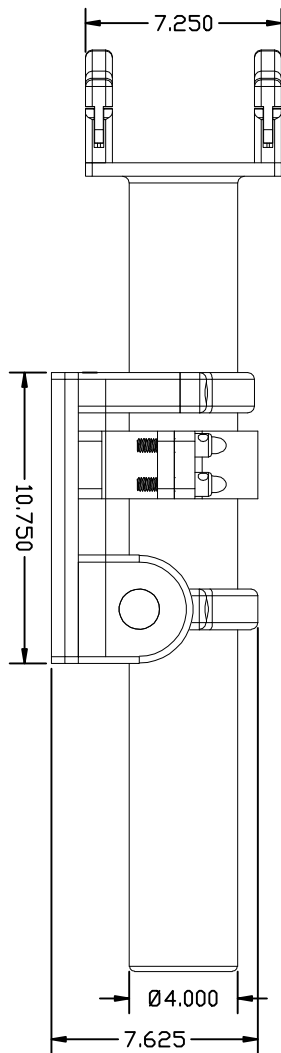


DRAWING NO.  
OTS-100-3

TITLE  
OTS-MOUNT  
PART CALLOUT

**Marine Survey  
Fabrication**  
Coarsegold, Ca 559-696-4020

DRAWN: MSF	11/15/16
CHECKED:	.
APPROVED:	
SCALE: N.T.S.	



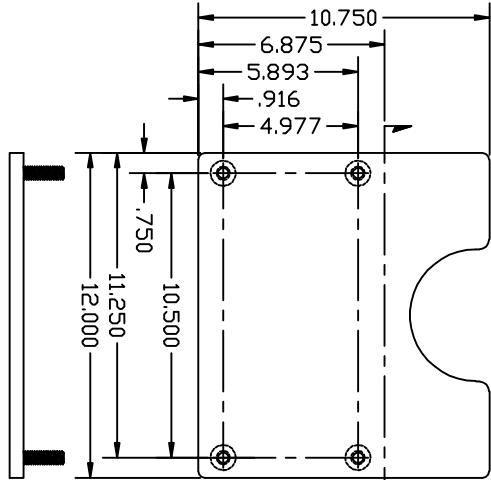
DRAWING NO.  
OTS-100-1

TITLE

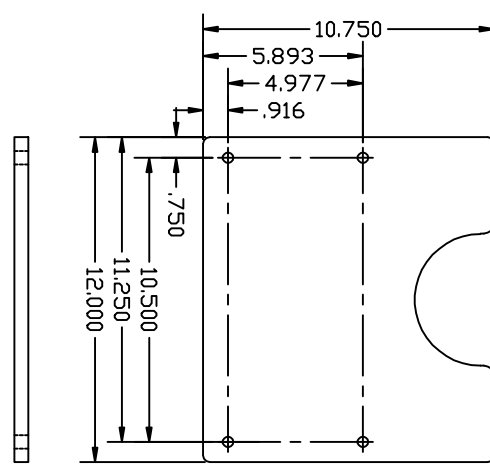
OTS-MOUNT  
SALES DRAWING

**Marine Survey  
Fabrication**  
Coarsegold, Ca 559-696-4020

DRAWN: MSF	11/15/16
CHECKED:	.
APPROVED:	
SCALE: N.T.S.	

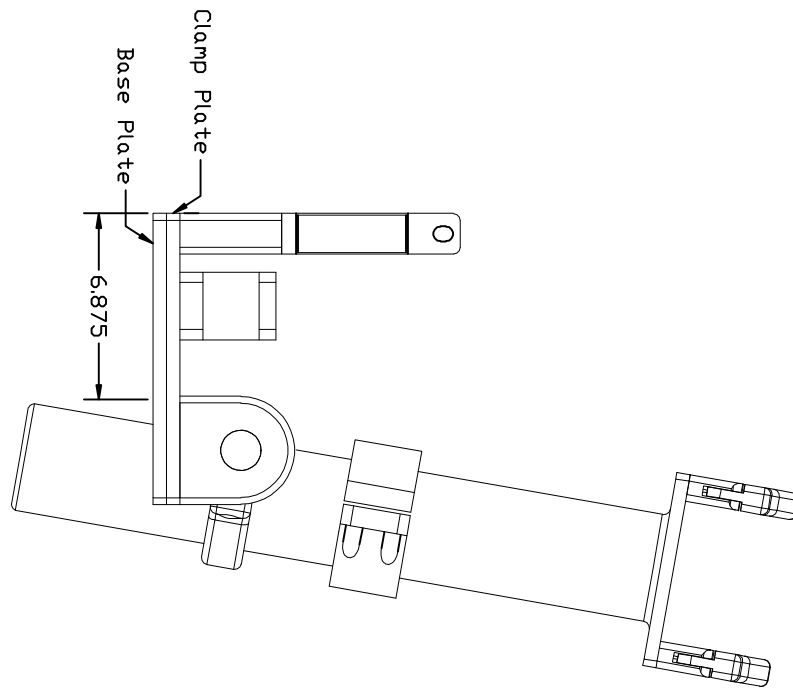


Base Plate



Clamp Plate

Keep this area clear.



Clamp Plate

Base Plate

6.875

TITLE

OTS-MOUNT  
SALES DRAWING

**Marine Survey  
Fabrication**

Coarsegold, Ca 559-696-4020

DRAWN: MSF	11/15/16
CHECKED:	.
APPROVED:	
SCALE: N.T.S.	

DRAWING NO.  
OTS-100-2